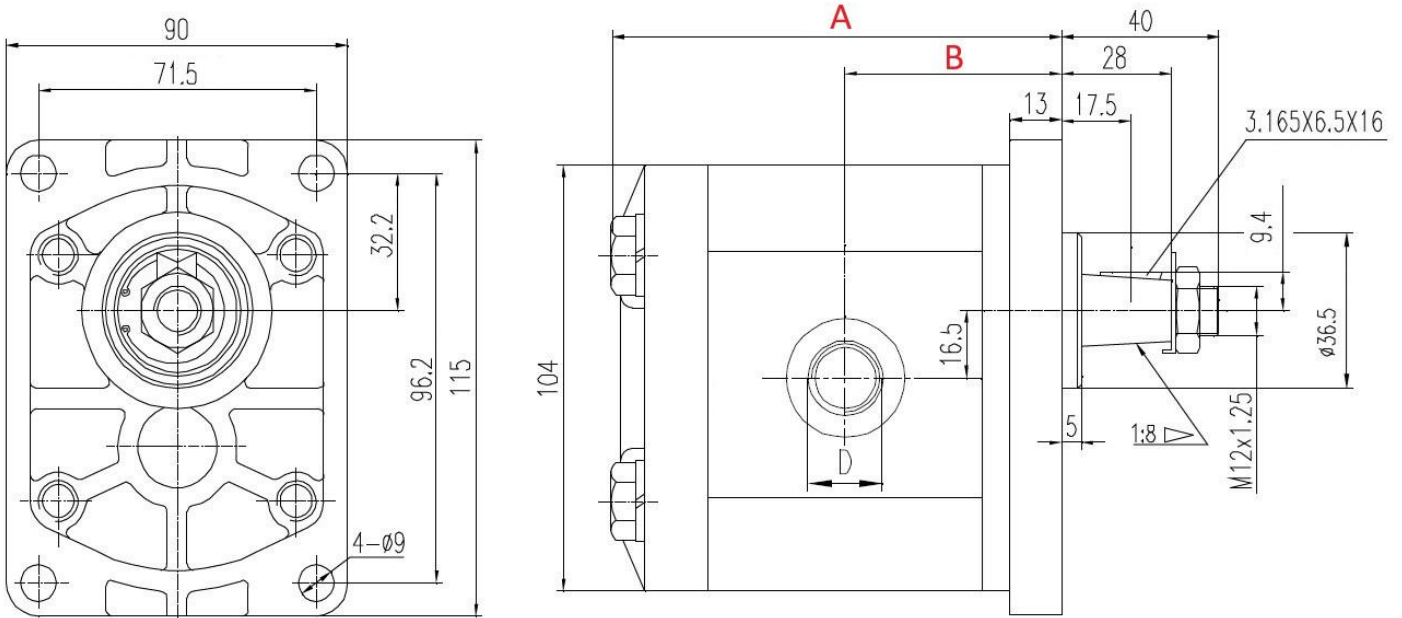
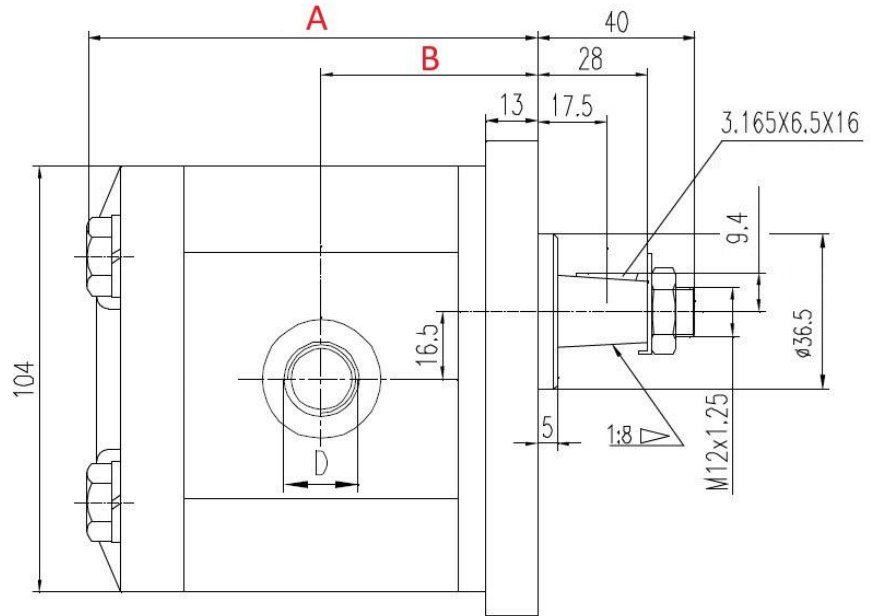
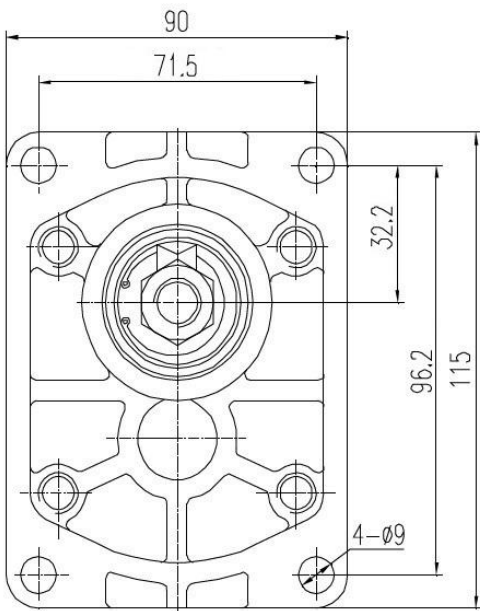


DATASHEET – DIMENSIONS – GR.2



RIGHT

Code	Flow (L/min)	Working pressure (bar)	Max. pressure (bar)	Revolution (rpm)	Suction thread	Pressure thread	A (mm)	B (mm)
11867	6	250	300	3500	1/2"	1/2"	99	45
11868	8						102	46,5
11869	12						108	49,5
100142	16						114	52,5
10133	20	200	250	3000	3/4"	1/2"	121	56
10135	25						128	59,5
10640	28						133	62
10136	30						136	63,5



LEFT

Code	Flow (L/min)	Working pressure (bar)	Max. pressure (bar)	Revolution (rpm)	Suction thread	Pressure thread	A (mm)	B (mm)
11870	6	250	300	3500	1/2"	1/2"	99	45
11871	8						102	46,5
11872	12						108	49,5
11873	16						114	52,5
10265	20						121	56
11874	25	200	250	3000	3/4"	1/2"	128	59,5
11875	28	160	200				133	62
11876	30						136	63,5